

Planetary Mixers

Planetary Mixer, 5 lt - Electronic with Hub, White with UK Plug

ITEM # _____

MODEL # _____

NAME # _____

SIS # _____

AIA # _____


600191 (EMX5BWHG)

Emix planetary mixer white, 5 liters, bowl detection device, electronic variable speed with K type accessory hub. Equipped with stainless steel semi spiral hook, paddle and whisk and highly resistant splashguard - BPA free - UK

Short Form Specification

Item No.

Suitable for all kneading, blending and whipping operations. Metal body and large base for complete stability. 5,5 litre capacity 18/10 (AISI 304) stainless steel bowl with 2 handles. Universal motor with electronic speed variation from 40 to 240 rpm (planetary movement), driving the whisk up to 500 rpm. Removable and dismantled solid safety screen - made of a bisphenol-A free (BPA) copolyester - activates the raising and lowering of the bowl. Equipped with accessory drive hub type k (accessories are not included). Bowl detection device allows the mixer to switch on only when the bowl and the safety screen are properly installed and positioned together.

Supplied with 3 stainless steel tools: semi-spiral hook, paddle and whisk.

Delivered with UK plug.

Main Features

- Small, compact planetary mixer designed to whisk and mix, providing also good kneading results.
- Maximum capacity (flour, with 60% of hydration) 0,75 kg.
- Tools shape and size perfectly adapt to the bowl for uniform mixing of even small quantities.
- Electronic speed variator.
- Removable safety screen activates the raising and lowering of the bowl.
- Delivered with:
 - Paddle, Semi-spiral Hook, Wire Whisk and Mixing Bowl for 5,5 lt
 - K type accessory drive hub (accessories are not included)
- Safety device will automatically stop the machine when the bowl is lowered.
- Bowl detection device allows the mixer to switch on only when the bowl and the solid safety screen are properly installed and positioned together.

Construction

- Compact design.
- Semi-spiral hook, paddle and wire whisk in stainless steel.
- 304 AISI stainless steel bowl with 2 handles - 5,5 lt capacity.
- Universal powerful motor with high start-up torque and overload protection.
- Variable speed from 40 to 240 rpm (planetary movement), to adjust to the selected tool and mixture hardness.
- Variable speed rotation of the tools from 84 rpm to 500 rpm.
- Power: 500 watts.
- Transparent solid safety screen made of Eastman Tritan™ copolyester BPA free, impact resistant and stays clear and durable after several dishwashing cycle. Eastman&Tritan are trademarks for Eastman Chemical Company.
- Water protected planetary system (IP55 electrical controls, IP34 overall machine).
- Delivered with UK plug.

Included Accessories

- 1 of Stainless steel bowl with handles 5 lt PNC 653754
- 1 of Stainless steel semi-spiral hook 5 lt PNC 653755
- 1 of Additional stainless steel paddle 5 lt PNC 653756
- 1 of Additional stainless steel whisk 5 lt PNC 653757

Optional Accessories

- 60 mm meatmincer for attachment type K (12 mm square hub) and 1 disc PNC 653043 □

APPROVAL: _____



Electrolux
PROFESSIONAL

Planetary Mixers Planetary Mixer, 5 lt - Electronic with Hub, White with UK Plug

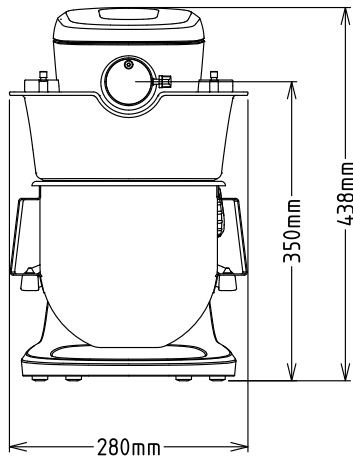
- 3 discs (3-4,5-8 mm) for meatmincer PNC 653044
- - NOT TRANSLATED - PNC 653296
- - NOT TRANSLATED - PNC 653298
- - NOT TRANSLATED - PNC 653300
- Stainless steel bowl with handles 5 lt PNC 653754
- Stainless steel semi-spiral hook 5 lt PNC 653755
- Additional stainless steel paddle 5 lt PNC 653756
- Additional stainless steel whisk 5 lt PNC 653757



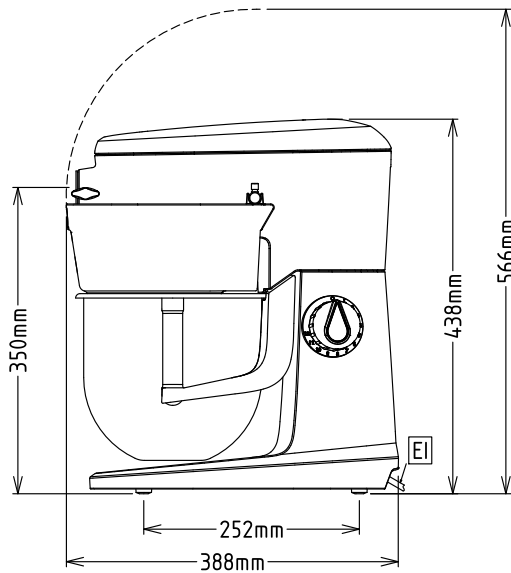
Planetary Mixers
Planetary Mixer, 5 lt - Electronic with Hub, White with UK Plug
The company reserves the right to make modifications to the products
without prior notice. All information correct at time of printing.

2024.12.22

Front

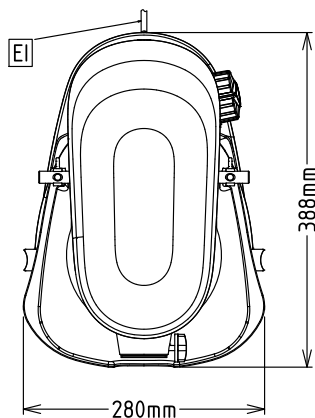


Side



EI = Electrical inlet (power)

Top


Electric
Supply voltage:

600191 (EMX5BWHG) 200-240 V/1N ph/50/60 Hz

Total Watts:

0.5 kW

Capacity:
Performance (up to): 0.75 kg/Cycle

Capacity: 5.5 litres

Key Information:
External dimensions, Width: 280 mm

External dimensions, Depth: 388 mm

External dimensions, Height: 438 mm

Shipping weight: 15.5 kg

Net weight (kg): ISO 9001; ISO 14001

0.75 kg with Semi spiral hook

Cold water paste:

hook

Egg whites:

12 with Whisk